

LED SOLAR LIGHT



CONTENTS

LED Solar Flood Light P01-P14

Led Street Light Pole Connected Bracket P15-P36

LED Solar Work Light P37-P78

LED Solar Work Light P79-P80

LED Solar Lighting System P81-P83



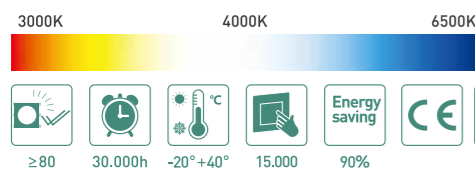
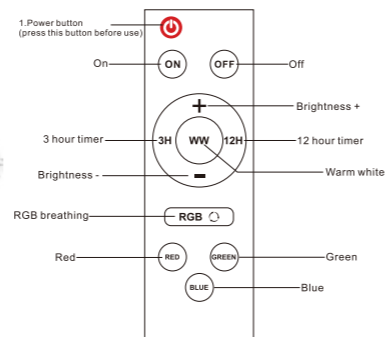


Connect Bluetooth Speaker(Optional)



Remark: Connecting bluetooth speaker will be compatible with the function of APP, such as lighting mode, music rhythm, etc.

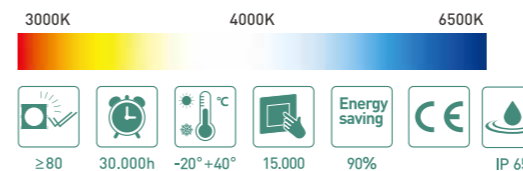
RGB Remote Controller Functions:



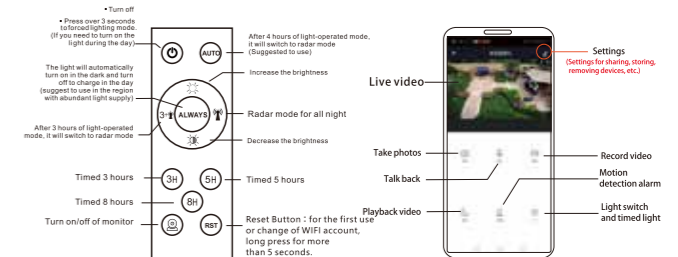
Item No.	Wattage [W]	LED	Lumen [lm]	Solar panel	Lithium battery	Beam angle	Material	Size [mm]
LED-SFLN-60W	60W	SMD5050	RGB	5V/12W	3.2V/6AH	120°	Aluminum	215.2*170.2*60
LED-SFLN-100W	100W	SMD5050	RGB	5V/15W	3.2V/12AH	120°	Aluminum	260.2*202.2*65
LED-SFLN-200W	200W	SMD5050	RGB	5V/25W	3.2V/18AH	120°	Aluminum	305.1*240.1*69
LED-SFLN-300W	300W	SMD5050	RGB	5V/35W	3.2V/24AH	120°	Aluminum	340.2*270.2*78
LED-SFLN-500W	500W	SMD5050	RGB	5V/40W	3.2V/30AH	120°	Aluminum	385.2*303.2*82
LED-SFLN-800W	800W	SMD5050	RGB	5V/50W	3.2V/48AH	120°	Aluminum	385.2*303.2*82



TF card 16G/32G



Item No.	Wattage [W]	LED	Lumen [lm]	Solar panel	Lithium battery	Beam angle	Material	Size [mm]
LED-SFLD-100W	100W	SMD2835	730	5V/20W	3.2V/12AH	120°	Aluminum	217*179*45
LED-SFLD-200W	200W	SMD2835	965	5V/28W	3.2V/24AH	120°	Aluminum	258*213*45
LED-SFLD-300W	300W	SMD2835	2800	5V/35W	3.2V/30AH	120°	Aluminum	312*270*50
LED-SFLD-400W	400W	SMD2835	3000	5V/40W	3.2V/42AH	120°	Aluminum	365*295*50





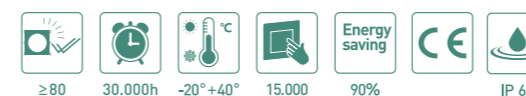
3000K 4000K 6500K



Item No.	Wattage [W]	LED	Lumen [lm]	Solar panel	Lithium battery	Beam angle	Material	Size [mm]
LED-SFLL-100W	100W	SMD5730	600	5V/15W	3.2V/12AH	120°	Aluminum	227*194*82
LED-SFLL-150W	150W	SMD5730	1000	5V/25W	3.2V/18AH	120°	Aluminum	287*245*82
LED-SFLL-200W	200W	SMD5730	1200	5V/30W	3.2V/24AH	120°	Aluminum	287*245*82
LED-SFLL-250W	250W	SMD5730	1800	5V/20W*2	3.2V/30AH	120°	Aluminum	347*296*82
LED-SFLL-300W	300W	SMD5730	2000	5V/25W*2	3.2V/36AH	120°	Aluminum	347*296*82



3000K 4000K 6500K



Item No.	Wattage [W]	LED	Lumen [lm]	Solar panel	Lithium battery	Beam angle	Material	Size [mm]
LED-SFLM-60W	60W	SMD3030	600	5V/16W	3.2V/12AH	120°	Aluminum	195*165*60
LED-SFLM-100W	100W	SMD3030	1200	5V/25W	3.2V/18AH	120°	Aluminum	270*220*60
LED-SFLM-200W	200W	SMD3030	2400	5V/25W*2	3.2V/36AH	120°	Aluminum	310*253*60



3000K 4000K 6500K

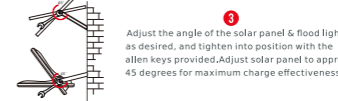
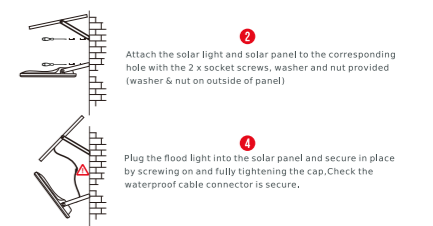
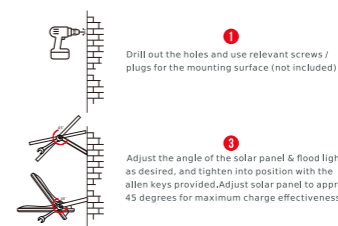
≥80
 30,000h
 -20°+40°
 15,000
 90%



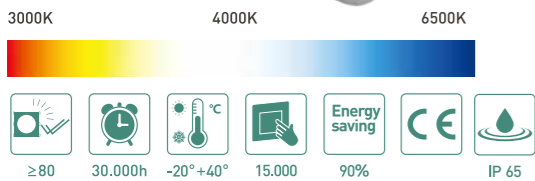
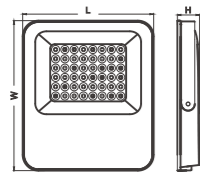
Item No.	Wattage [W]	LED	Lumen [lm]	Solar panel	Lithium battery	Beam angle	Material	Size [mm]
LED-SFLK-50W	50W	SMD2835	900	5V/8W	3.2V/6AH	90°	Aluminum	220*175*45
LED-SFLK-100W	100W	SMD2835	1800	5V/15W	3.2V/15AH	90°	Aluminum	274*199.5*45
LED-SFLK-200W	200W	SMD2835	3600	5V/20W	3.2V/25AH	90°	Aluminum	351*245.5*45
LED-SFLK-300W	300W	SMD2835	5400	5V/30W	3.2V/30AH	90°	Aluminum	351*254.5*45
LED-SFLK-400W	400W	SMD2835	7200	5V/40W	3.2V/40AH	90°	Aluminum	421*301*45
LED-SFLK-500W	500W	SMD2835	9000	5V/50W	3.2V/50AH	90°	Aluminum	421*301*45

3000K 4000K 6500K

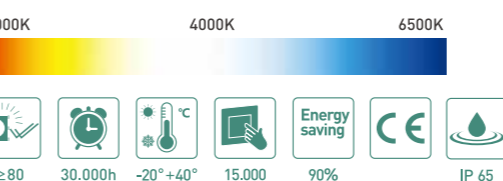
≥80
 30,000h
 -20°+40°
 15,000
 90%



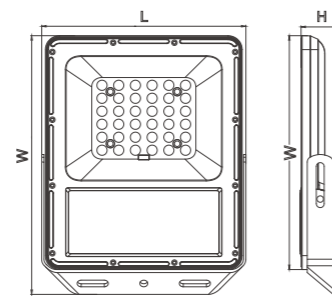
Item No.	Wattage [W]	LED	Lumen [lm]	Solar panel	Lithium battery	Beam angle	Material	Size [mm]
LED-SFLJ-50W	50W	SMD2835	600	5V/8W	3.2V/6AH	90°	Aluminum	185*210*35
LED-SFLJ-100W	100W	SMD2835	960	5V/15W	3.2V/12AH	90°	Aluminum	225*275*35
LED-SFLJ-150W	150W	SMD2835	1140	5V/20W	3.2V/18AH	90°	Aluminum	258*300*45
LED-SFLJ-200W	200W	SMD2835	1800	5V/25W	3.2V/24AH	90°	Aluminum	300*350*40
LED-SFLJ-300W	300W	SMD2835	2160	5V/30W	3.2V/30AH	90°	Aluminum	370*390*40



Item No.	Wattage [W]	LED [lm]	Solar panel	Lithium battery	Beam angle	Material	Size [mm]
LED-SFLB-30W(A/B)	30W	SMD5050	6V/4W	3.2V/2.6AH	90°	Aluminum	140.4*160.4*32.3
LED-SFLB-50W(A/B)	60W	SMD5050	6V/8W	3.2V/6AH	90°	Aluminum	167.4*194.4*34.9
LED-SFLB-100W(A/B)	100W	SMD5050	6V/15W	3.2V/12AH	90°	Aluminum	189.7*219.4*46
LED-SFLB-200W(A/B)	200W	SMD5050	6V/30W	3.2V/24AH	90°	Aluminum	228*206.5*46.5
LED-SFLB-300W(A/B)	300W	SMD5050	6V/40W	3.2V/36AH	90°	Aluminum	274.4*314.4*46.5
LED-SFLB-500W(A/B)	500W	SMD5050	6V/50W	3.2V/48AH	90°	Aluminum	670*535*30

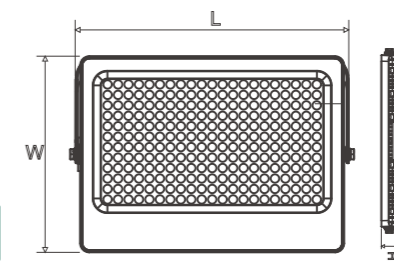


Item No.	Wattage [W]	LED	Lumen [lm]	Solar panel	Lithium battery	Beam angle	Material	Size [mm]
LED-SFLG-50W(A/B)	50W	SMD2835	400	5V/8W	3.2V/6AH	120°	Aluminum	210*175*50
LED-SFLG-100W(A/B)	100W	SMD2835	850	5V/15W	3.2V/12AH	120°	Aluminum	260*200*50
LED-SFLG-200W(A/B)	200W	SMD2835	1400	5V/20W	3.2V/20AH	120°	Aluminum	310*255*50
LED-SFLG-300W(A/B)	300W	SMD2835	2000	5V/30W	3.2V/30AH	120°	Aluminum	310*255*50
LED-SFLG-400W(A/B)	400W	SMD2835	3000	5V/40W	3.2V/40AH	120°	Aluminum	370*310*65
LED-SFLG-500W(A/B)	500W	SMD2835	3600	5V/50W	3.2V/50AH	120°	Aluminum	370*310*65



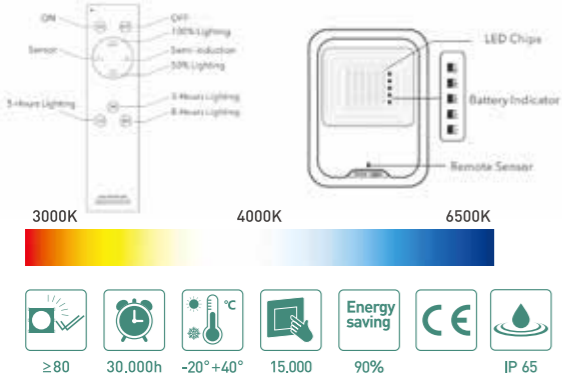
3000K 4000K 6500K

Item No.	Wattage [W]	LED	Lumen [lm]	Solar panel	Lithium battery	Beam angle	Material	Size [mm]
LED-SFLE-20W	20W	SMD5050	340	6V/8W	3.2V/5AH	90°	Aluminum	145*128*47
LED-SFLE-50W	50W	SMD5050	850	6V/15W	3.2V/10AH	90°	Aluminum	209*179*47
LED-SFLE-100W	100W	SMD5050	1360	6V/20W	3.2V/20AH	90°	Aluminum	252*219*47
LED-SFLE-200W	200W	SMD5050	2040	6V/30W	3.2V/30AH	90°	Aluminum	282*250*52.6
LED-SFLE-300W	300W	SMD5050	3740	6V/60W	3.2V/60AH	90°	Aluminum	350*302*58

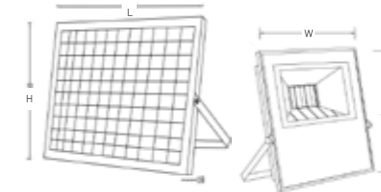
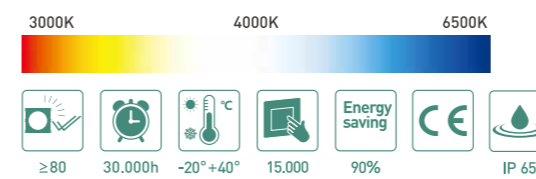


3000K 4000K 6500K

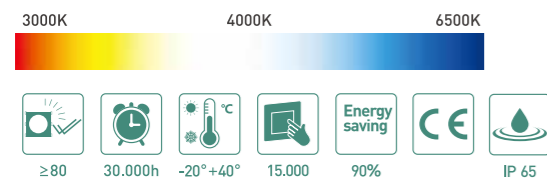
Item No.	Wattage [W]	LED	Lumen [lm]	Solar panel	Lithium battery	Beam angle	Material	Size [mm]
LED-SFLF-100W	100W	SMD2835	1200	5V/20W	3.2V/15AH	90°	Aluminum+PC	240*173.3*40.8
LED-SFLF-200W	200W	SMD2835	1800	5V/30W	3.2V/25AH	90°	Aluminum+PC	271.5*198.3*40.8
LED-SFLF-300W	300W	SMD2835	3400	5V/40W	3.2V/45AH	90°	Aluminum+PC	352.7*253.4*40.8
LED-SFLF-500W	500W	SMD2835	4200	5V/60W	3.2V/65AH	90°	Aluminum+PC	425.7*299.6*40.8



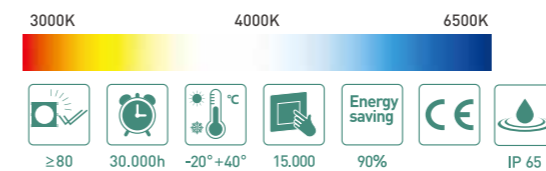
ITEM NO.	Wattage [W]	LED	Lumen [lm]	Solar panels	Battery Type	Beam angle	Material	Size [mm]
LED-SFLA-30W	30W	SMD5730	300	5V/8W	3.2V/6AH	120°	Aluminum	179*145*49
LED-SFLA-60W	60W	SMD5730	600	5V/15W	3.2V/12AH	120°	Aluminum	245*165*60
LED-SFLA-100W	100W	SMD5730	1000	5V/25W	3.2V/18AH	120°	Aluminum	275*210*80
LED-SFLA-150W	150W	SMD5730	1200	5V/30W	3.2V/24AH	120°	Aluminum	275*210*80
LED-SFLA-200W	200W	SMD5730	1800	5V/20W*2	3.2V/30AH	120°	Aluminum	308*239*81
LED-SFLA-300W	300W	SMD5730	2000	5V/25W*2	3.2V/36AH	120°	Aluminum	308*239*81



ITEM NO.	Wattage [W]	LED	Lumen [lm]	Solar panels	Battery Type	Beam angle	Material	Size [mm]
LED-SFL-50W	50W	SMD5730	600	5V/10W	3.2V/9AH	120°	Aluminum	185*225*95
LED-SFL-100W	100W	SMD5730	800	5V/15W	3.2V/12AH	120°	Aluminum	270*55*210
LED-SFL-200W	200W	SMD5730	1600	9V/20W	6.4V/10AH	120°	Aluminum	300*65*240
LED-SFL-300W	300W	SMD5730	3000	9V/30W	6.4V/12AH	120°	Aluminum	300*65*240



Item No.	Wattage [W]	LED	Lumen [lm]	Solar panel	Lithium battery	Beam angle	Material	Size [mm]
LED-SFLH-30W	30W	SMD2835	280	6V/12W	3.2V/5.5AH	120°	Aluminum	195*155*54
LED-SFLH-60W	60W	SMD2835	450	6V/20W	3.2V/11AH	120°	Aluminum	227*182*54
LED-SFLH-100W	100W	SMD2835	800	6V/25W	3.2V/16.5AH	120°	Aluminum	255*227*56
LED-SFLH-200W	200W	SMD2835	1030	6V/30W	3.2V/22AH	120°	Aluminum	285*250*56
LED-SFLH-300W	300W	SMD2835	1800	6V/40W	3.2V/40AH	120°	Aluminum	385*340*85



Item No.	Wattage [W]	LED	Lumen [lm]	Solar panel	Lithium battery	Beam angle	Material	Size [mm]
LED-SFLI-100W	100W	SMD5730	750	6V/20W	3.2V/12AH	120°	Aluminum	265*220*60
LED-SFLI-200W	200W	SMD5730	850	6V/30W	3.2V/24AH	120°	Aluminum	325*325*65
LED-SFLI-300W	200W	SMD5730	1360	6V/40W	3.2V/36AH	120°	Aluminum	405*325*65



4000K 6500K

≥80
 30,000h
 -20°+40°
 15,000
 90%
 CE
 IP 65



Item No.	Wattage [W]	LED	Lumen [lm]	Solar panel	Lithium battery	Beam angle	Material	Pole Size [mm]	Size [mm]
LED-SSXD-30W	30W	SMD5730	450	6V/6W	3.2V/6AH	120°	ABS	Ø48	390*194*55
LED-SSXD-60W	60W	SMD5730	700	6V/9W	3.2V/9AH	120°	ABS	Ø48	485*219*55
LED-SSXD-90W	90W	SMD5730	800	6V/12W	3.2V/12AH	120°	ABS	Ø48	623*238*55
LED-SSXD-120W	120W	SMD5730	1100	6V/15W	3.2V/15AH	120°	ABS	Ø48	723*240*55



3000K 4000K 6500K

≥80
 30,000h
 -20°+40°
 15,000
 90%
 CE
 IP 65



ITEM NO.	Wattage [W]	LED	Lumen [lm]	Solar panels	Battery Type	Beam angle	Material	Pole Size[mm]	Size [mm]
LED-SSXB-20W	20W	SMD5730	420	6V/6W	3.2V 5AH	120°	Aluminum	40	395*210*60
LED-SSXB-40W	40W	SMD5730	520	6V/9W	3.2V 9AH	120°	Aluminum	40	495*240*70
LED-SSXB-60W	60W	SMD5730	650	6V/12W	3.2V 12AH	120°	Aluminum	48	635*260*70



≥80 30,000h -20°+40° 15,000 90% CE IP 65

Item No.	Wattage [W]	LED	Lumen [lm]	Solar panel	Lithium battery	Beam angle	Material	Pole Size[mm]	Size [mm]
LED-SSXK-30W	30W	SMD2835	320	6V/6.5W	3.2V/5AH	120°	ABS	48	380*211*55
LED-SSXK-60W	90W	SMD2835	620	6V/10.5W	3.2V/10AH	120°	ABS	48	505*211*55
LED-SSXK-90W	90W	SMD2835	880	6V/12.5W	3.2V/15AH	120°	ABS	48	630*230*55
LED-SSXK-120W	120W	SMD2835	1120	6V/16.5W	3.2V/18AH	120°	ABS	48	475*230*55



≥80 30,000h -20°+40° 15,000 90% CE IP 65

Item No.	Wattage [W]	LED	Lumen [lm]	Solar panel	Lithium battery	Beam angle	Material	Pole Size[mm]	Size [mm]
LED-SSXJ-30W	30W	SMD2835	400	6V/6W	3.2V/5AH	90°	PC	38	300*190*48
LED-SSXJ-60W	90W	SMD2835	600	6V/8W	3.2V/6AH	90°	PC	38	390*190*48
LED-SSXJ-90W	90W	SMD2835	900	6V/12W	3.2V/10AH	90°	PC	38	523*190*50
LED-SSXJ-120W	120W	SMD2835	1200	6V/15W	3.2V/12AH	90°	PC	38	615*190*50



3000K 4000K 6500K

- ≥80
- 30,000h
- 20°+40°
- 15,000
- 90%
- Energy saving
- CE
- IP 65



Item No.	Wattage [W]	LED	Lumen [lm]	Solar panel	Lithium battery	Beam angle	Material	Pole Size[mm]	Size [mm]
LED-SSXL-100W	100W	SMD2835	1000	4V/10W	3.2V/10AH	120°	ABS	48	530*270*70
LED-SSXL-200W	200W	SMD2835	1600	4V/15W	3.2V/15AH	120°	ABS	48	645*300*70
LED-SSXL-300W	300W	SMD2835	2150	4V/18W	3.2V/20AH	120°	ABS	48	750*300*70

3000K 4000K 6500K

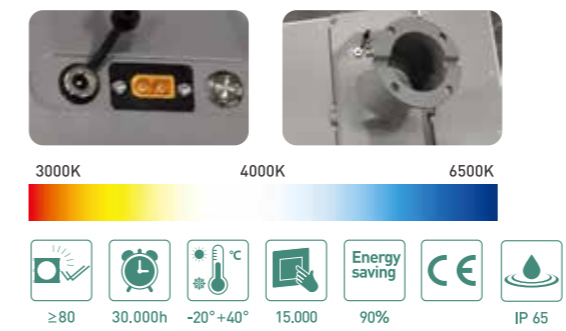
- ≥80
- 30,000h
- 20°+40°
- 15,000
- 90%
- Energy saving
- CE
- IP 65



Item No.	Wattage [W]	LED	Lumen [lm]	Solar panel	Lithium battery	Beam angle	Material	Pole Size[mm]	Size [mm]
LED-SSXN-100W	100W	SMD3030	1300	5V/25W	3.2V/20AH	70*140°	Aluminum	60	550*288*130
LED-SSXN-200W	200W	SMD3030	2300	5V/35W	3.2V/30AH	70*140°	Aluminum	60	660*332*130
LED-SSXN-300W	300W	SMD3030	4200	10V/48W	6.4V/20AH	70*140°	Aluminum	60	855*350*155
LED-SSXN-400W	400W	SMD3030	5800	10V/48W	6.4V/30AH	70*140°	Aluminum	60	855*350*155



Item No.	Wattage [W]	LED	Lumen [lm]	Solar panel	Lithium battery	Beam angle	Material	Pole Size [mm]	Size [mm]
LED-SSXI-60W	60W	SMD2835	800	5V/13W	3.7V/10AH	90°	ABS	Ø60	567.2*195
LED-SSXI-100W	100W	SMD2835	1000	5V/18W	3.7V/15AH	90°	ABS	Ø60	667.5*217.6

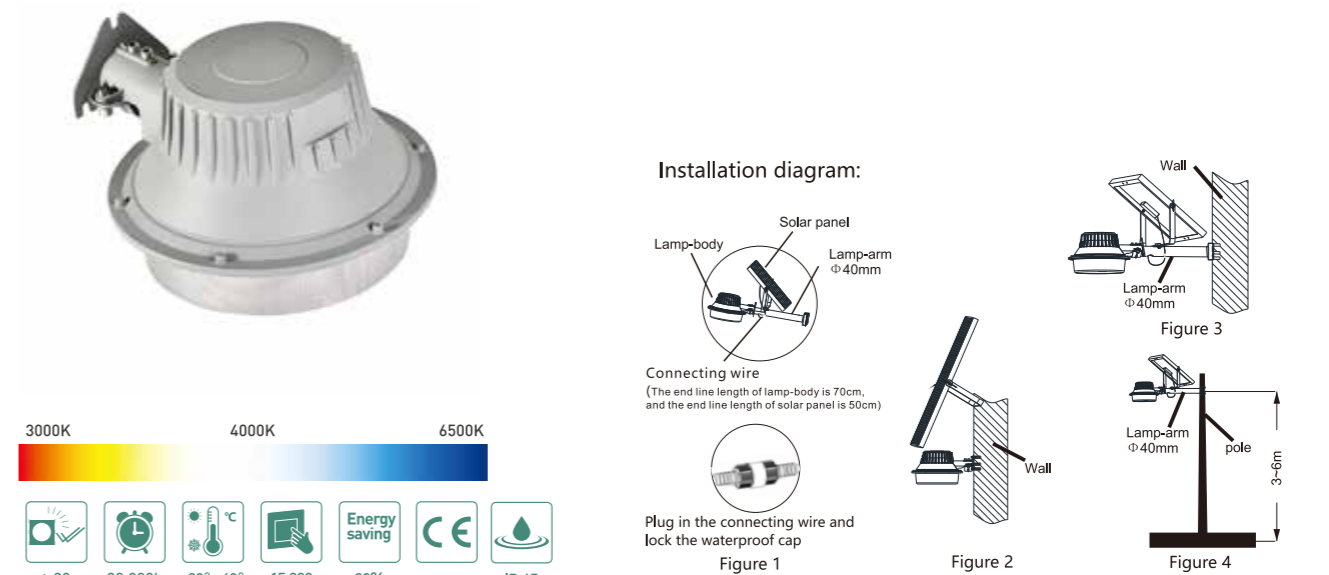


Item No.	Wattage [W]	LED	Lumen [lm]	Solar panel	Lithium battery	Beam angle	Material	Pole Size [mm]	Size [mm]
LED-SSXH-40W	40W	SMD2835	1600	6V/40W	3.2V/25AH	90°*130°	Aluminum	Ø60	700*350
LED-SSXH-60W	60W	SMD2835	3200	6V/60W	3.7V/35AH	90°*130°	Aluminum	Ø60	1000*350
LED-SSXH-80W	80W	SMD2835	4800	18V/80W	12V/20AH	90°*130°	Aluminum	Ø60	1350*350





Item No.	Wattage [W]	LED	Lumen [lm]	Solar panel	Lithium battery	Beam angle	Material	Pole Size [mm]	Size [mm]
LED-SSLH-30W	30W	SMD3030	5300	18V/40W	12.8V/18AH	70*140°	Aluminum	Ø60	570*280*100
LED-SSLH-40W	40W	SMD3030	7000	18V/50W	12.8V/24AH	70*140°	Aluminum	Ø60	570*280*100
LED-SSLH-50W	50W	SMD3030	9000	18V/65W	12.8V/30AH	70*140°	Aluminum	Ø60	665*280*100
LED-SSLH-60W	60W	SMD3030	10200	18V/80W	12.8V/36AH	70*140°	Aluminum	Ø60	665*280*100
LED-SSLH-80W	80W	SMD3030	14000	18V/100W	12.8V/42AH	70*140°	Aluminum	Ø60	755*280*100
LED-SSLH-100W	100W	SMD3030	17000	18V/130W	12.8V/54AH	70*140°	Aluminum	Ø60	845*280*100
LED-SSLH-120W	120W	SMD3030	20000	18V/170W	12.8V/60AH	70*140°	Aluminum	Ø60	845*280*100



ITEM NO.	Wattage [W]	LED	Lumen [lm]	Solar panels	Battery Type	Beam angle	Material	Size [mm]
LED-YSGLN-300W	300W	SMD2835	2000	(6V/28W)	(3.2V/20AH)	120°	Aluminum	295*242*156



3000K 4000K 6500K

≥80
 30.000h
 -20°+40°
 15.000
 90%

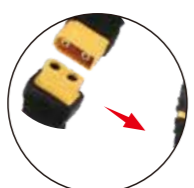
Item No.	Wattage [W]	LED	Lumen [lm]	Solar panel	Lithium battery	Beam angle	Material	Pole Size [mm]	Size [mm]
LED-SSX0-50W	50W	SMD3030	5000	18V/50W	6.4V/20AH	70°*140°	Aluminum	Ø60	423*179*56
LED-SSX0-10W	100W	SMD3030	10000	18V/100W	12.8V/50AH	70°*140°	Aluminum	Ø60	505*210*70
LED-SSX0-150W	150W	SMD3030	15000	18V/180W	12.8V/80AH	70°*140°	Aluminum	Ø60	640*240*70
LED-SSX0-200W	200W	SMD3030	20000	18V/240W	12.8V/100AH	70°*140°	Aluminum	Ø60	820*305*70

3000K 4000K 6500K

≥80
 30.000h
 -20°+40°
 15.000
 90%

Item No.	Wattage [W]	LED	Lumen [lm]	Solar panel	Lithium battery	Beam angle	Material	Pole Size [mm]	Size [mm]
LED-SSLI-30W	100W	SMD2835	700	6V/15W	3.2V/15AH	70°*140°	Aluminum	Ø60	493*213*52
LED-SSLI-40W	200W	SMD2835	1300	18V/24W	12.8V/20AH	70°*140°	Aluminum	Ø60	493*213*52
LED-SSLI-50W	300W	SMD2835	2300	18V/35W	12.8V/30AH	70°*140°	Aluminum	Ø60	603*252*60





3000K 4000K 6500K

≥80
 30,000h
 -20°+40°
 15,000
 Energy saving 90%
 CE
 IP 65



Item No.	Wattage [W]	LED	Lumen [lm]	Solar panel	Lithium battery	Beam angle	Material	Pole Size [mm]	Size [mm]
LED-SSXE-60W	60W	SMD5050	980	6V/20W	3.2V/20AH	90°	Aluminum+PC	Ø48	174.7*52.5*88
LED-SSXE-100W	100W	SMD5050	1800	6V/30W	3.2V/30AH	90°	Aluminum+PC	Ø60	200*545.5*97
LED-SSXE-200W	200W	SMD5050	2600	6V/40W	3.2V/40AH	90°	Aluminum+PC	Ø60	212*579*97



3000K 4000K 6500K

≥80
 30,000h
 -20°+40°
 15,000
 Energy saving 90%
 CE
 IP 65

ITEM NO.	Wattage [W]	LED	Lumen [lm]	Solar panels	Battery Type	Beam angle	Material	Size [mm]
LED-SSXC-10W	10W	5730SMD	240	6V/6W	3.2V/ 5AH	120°	Aluminum	350*100
LED-SSXC-20W	20W	5730SMD	360	5V/8W	3.2V/ 6AH	120°	Aluminum	390*140
LED-SSXC-30W	30W	5730SMD	480	6V/15W	3.2V/ 10AH	120°	Aluminum	390*140
LED-SSXC-50W	50W	5730SMD	800	5V/20W	3.7V/ 12AH	120°	Aluminum	500*200
LED-SSXC-100W	100W	5730SMD	1200	9V/30W	6.4V/ 15AH	120°	Aluminum	500*200
LED-SSXC-200W	200W	5730SMD	1500	9V/40W	6.4V/ 18AH	120°	Aluminum	500*200
LED-SSXC-300W	300W	5730SMD	2000	9V/50W	6.4V/ 24AH	120°	Aluminum	500*200



3000K 4000K 6500K

≥80
 30,000h
 -20°+40°
 15,000
 Energy saving
 CE
 IP 65

Light Sensor

Light off during daytime Auto on at night

Infrared Motion Sensor

Dim light when no people pass by Full power when people pass by

ITEM NO.	Wattage [W]	LED	Lumen [lm]	Solar panels	Battery Type	Material	Pole Size[mm]	Size [mm]
LED-SSLE-20W	20W	3030SMD	2000	mono-crystalline (18V/30W)	lithium battery (12V/ 18AH)	Aluminum	60	549*294*67.5
LED-SSLE-40W	40W	3030SMD	4000	mono-crystalline (18V/50W)	lithium battery (12V/ 33AH)	Aluminum	60	659*367*63.5
LED-SSLE-60W	60W	3030SMD	6000	mono-crystalline (18V/70W)	lithium battery (12V/ 36AH)	Aluminum	60	789*367*63.5



Light Sensor
 Light off during daytime Auto on at night

Infrared Motion Sensor
 Dim light when no people pass by Full power when people pass by

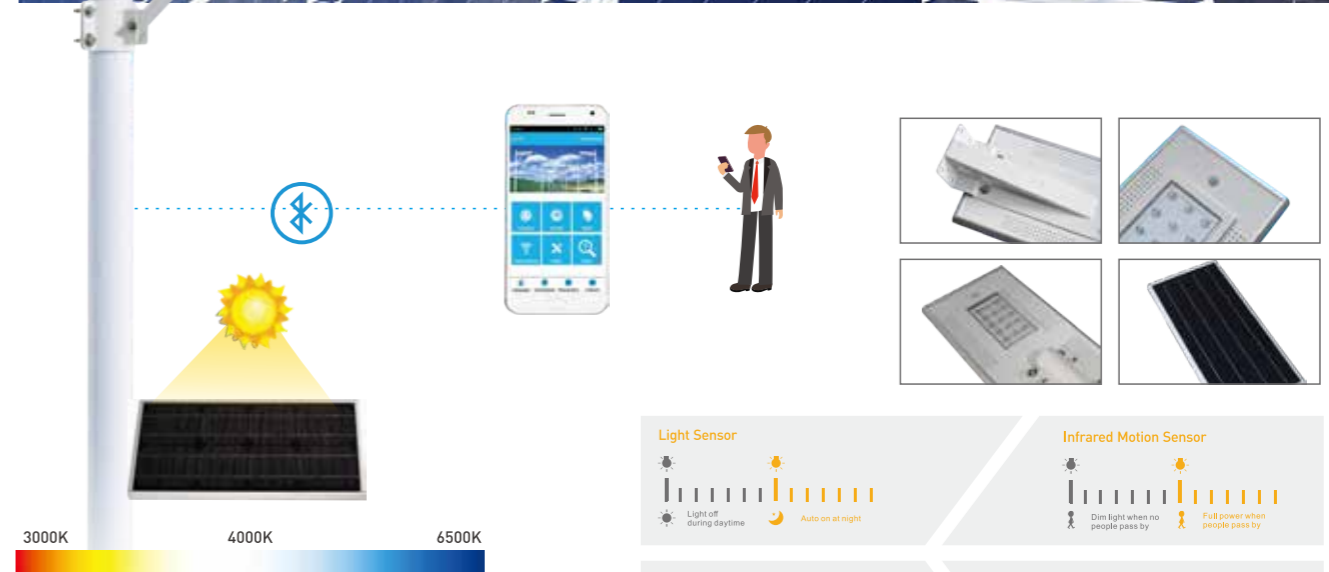
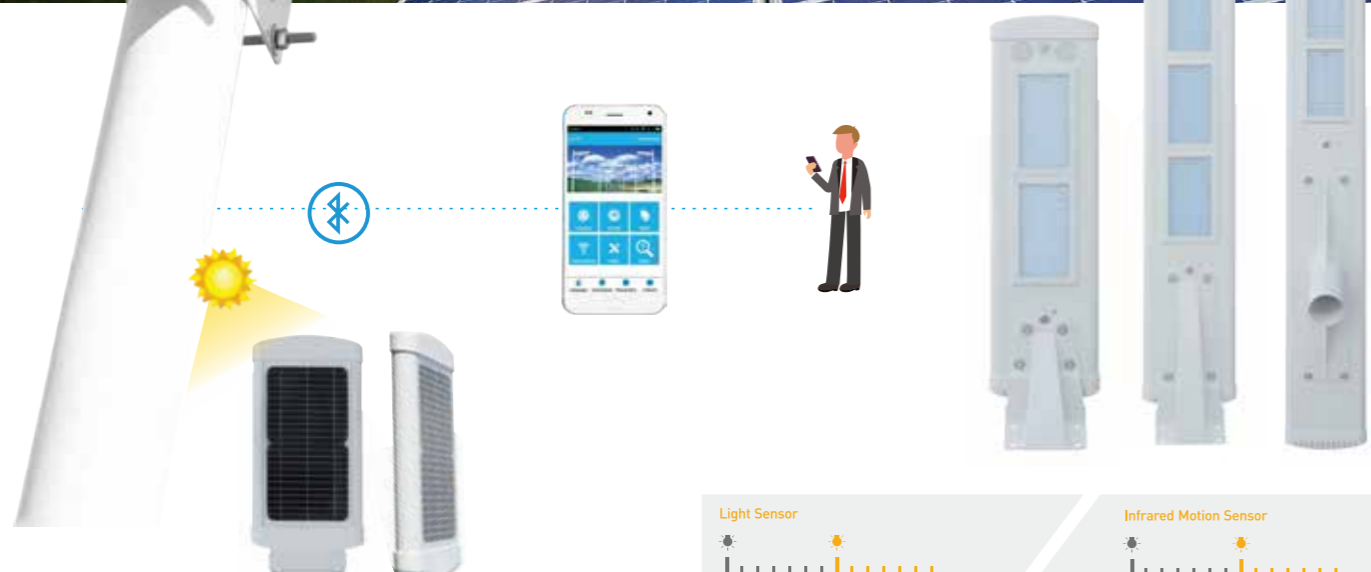
Programmable Timer
 Adjust the power according to time

Mobile APP Intelligent Control
 Smart control from any place

3000K 4000K 6500K

 ≥80 30,000h -20°+40° 15,000 90% IP 65

ITEM NO.	Wattage [W]	LED	Lumen [lm]	Solar panels	Battery Type	Material	Pole Size[mm]	Size [mm]
LED-SSLB-30W	30W	5050SMD	3900	mono-crystalline (18V/45W)	lithium battery (12V/21.6AH)	Aluminum	76	925*360*270
LED-SSLB-40W	40W	5050SMD	5200	mono-crystalline (18V/55W)	lithium battery (12V/26.5AH)	Aluminum	76	1105*360*270
LED-SSLB-50W	50W	5050SMD	6500	mono-crystalline (18V/65W)	lithium battery (12V/28.9AH)	Aluminum	76	1250*360*270
LED-SSLB-60W	60W	5050SMD	7800	mono-crystalline (18V/75W)	lithium battery (12V/33.7AH)	Aluminum	76	1430*360*270
LED-SSLB-70W	70W	5050SMD	9100	mono-crystalline (18V/85W)	lithium battery (12V/38.5AH)	Aluminum	76	1430*360*270
LED-SSLB-80W	80W	5050SMD	10400	mono-crystalline (18V/95W)	lithium battery (12V/43.3AH)	Aluminum	76	1430*360*270



3000K 4000K 6500K

≥80 30,000h -20°+40° 15,000 90% Energy saving CE IP 65

Light Sensor
 Light off during daytime Auto on at night

Infrared Motion Sensor
 Dim light when no people pass by Full power when people pass by

Programmable Timer
 Adjust the power according to time

Mobile APP Intelligent Control
 Smart control from any place

3000K 4000K 6500K

≥80 30,000h -20°+40° 15,000 90% Energy saving CE IP 65

Light Sensor
 Light off during daytime Auto on at night

Infrared Motion Sensor
 Dim light when no people pass by Full power when people pass by

Programmable Timer
 Adjust the power according to time

Mobile APP Intelligent Control
 Smart control from any place

ITEM NO.	Wattage [W]	LED	Lumen [lm]	Solar panels	Battery Type	Discharge time[hours]	Material	Pole Size[mm]	Size [mm]
LED-SSL-10W	10W	SMD3030	1300	mono-crystalline (12V/7W)	Lithium (12V/6.6AH)	>36	Aluminum	60-76	430*225*50
LED-SSL-20W	20W	SMD3030	2600	mono-crystalline (18V/15W)	Lithium (12V/13.3AH)	>36	Aluminum	60-76	790*225*50
LED-SSL-30W	30W	SMD3030	3900	mono-crystalline (18V/25W)	Lithium (12V/17.7AH)	>36	Aluminum	60-76	1167*225*50
LED-SSL-50W	50W	SMD3030	6500	mono-crystalline (18V/35W)	Lithium (12V/22.2AH)	>36	Aluminum	60-76	1550*225*50
LED-SSL-80W	80W	SMD3030	10400	mono-crystalline (18V/47W)	Lithium (12V/30.8AH)	>36	Aluminum	60-76	1930*225*50

ITEM NO.	Wattage [W]	LED	Lumen [lm]	Solar panels	Battery Type	Discharge time[hours]	Material	Pole Size[mm]	Size [mm]
LED-SSLA-18W	18W	45MIL	1980	Mono-crystalline (18V/30W)	Lithium (12V/13.3AH)	>36	Aluminum	60-76	650*310*45
LED-SSLA-20W	20W	45MIL	2200	Mono-crystalline (18V/50W)	Lithium (12V/17.7AH)	>36	Aluminum	60-76	960*310*45
LED-SSLA-30W	30W	45MIL	3300	Mono-crystalline (18V/65W)	Lithium (12V/26.6AH)	>36	Aluminum	60-76	1210*340*45
LED-SSLA-40W	40W	45MIL	4400	Mono-crystalline (18V/70W)	Lithium (12V/26.6AH)	>36	Aluminum	60-76	1210*340*45
LED-SSLA-50W	50W	45MIL	5500	Mono-crystalline (18V/70W)	Lithium (12V/33.3AH)	>36	Aluminum	60-76	1080*450*45
LED-SSLA-60W	60W	45MIL	6600	Mono-crystalline (18V/70W)	Lithium (12V/33.3AH)	>36	Aluminum	60-76	1080*450*45



Rotated 360° horizontally

Rotated 240° vertically

Light Sensor
Light off during daytime, Auto on at night

Infrared Motion Sensor
Dim light when no people pass by, Full power when people pass by

Programmable Timer
Adjust the power according to time

Mobile APP Intelligent Control
Smart control from any place

3000K 4000K 6500K

≥80 30,000h -20°+40° 15,000 90% CE IP 65

ITEM NO.	Wattage [W]	LED	Lumen [lm]	Solar panels	Battery Type	Discharge time[hours]	Material	Pole Size[mm]	Size [mm]
LED-SSLC-30W	30W	SMD3535	3900	Mono-crystalline (18V/60W)	Lithium (12V/22AH)	>36	Aluminum	76	640*260*250
LED-SSLC-40W	40W	SMD3535	5200	Mono-crystalline (18V/60W)	Lithium (12V/26.4AH)	>36	Aluminum	76	640*260*250
LED-SSLC-50W	50W	SMD3535	6500	Mono-crystalline (18V/80W)	Lithium (12V/30.8AH)	>36	Aluminum	76	640*260*250
LED-SSLC-60W	60W	SMD3535	7800	Mono-crystalline (18V/80W)	Lithium (12V/35.2AH)	>36	Aluminum	76	640*260*250

Rotated 360° horizontally

Rotated 240° vertically

Light Sensor
Light off during daytime, Auto on at night

Infrared Motion Sensor
Dim light when no people pass by, Full power when people pass by

Programmable Timer
Adjust the power according to time

Mobile APP Intelligent Control
Smart control from any place

3000K 4000K 6500K

≥80 30,000h -20°+40° 15,000 90% CE IP 65

ITEM NO.	Wattage [W]	LED	Lumen [lm]	Solar panels	Battery Type	Material	Pole Size[mm]	Size [mm]
LED-SSLD-30W	30W	5050SMD	3900	mono-crystalline (18V/50W)	Lithium (12V/21AH)	Aluminum	76	633*250*90
LED-SSLD-40W	40W	5050SMD	5200	mono-crystalline (18V/50W)	Lithium (12V/26AH)	Aluminum	76	633*250*90
LED-SSLD-50W	50W	5050SMD	6500	mono-crystalline (18V/70W)	Lithium (12V/31AH)	Aluminum	76	633*250*90
LED-SSLD-60W	60W	5050SMD	7800	mono-crystalline (18V/70W)	Lithium (12V/36AH)	Aluminum	76	633*250*90



Light Sensor
 Light off during daytime / Auto on at night

Infrared Motion Sensor
 Dim light when no people pass by / Full power when people pass by

Programmable Timer
 Adjust the power according to time

Mobile APP Intelligent Control
 Smart control from any place

3000K 4000K 6500K

≥70 30,000h -20°+40° 15,000 90% IP 65

ITEM NO.	Wattage [W]	LED	Lumen [lm]	Solar panels	Battery Type	Material	Pole Size[mm]	Size [mm]
LED-SSLF-30W	30W	SMD3030	5100	mono-crystalline (18V/50W)	lithium (12V/ 27AH)	Aluminum	60	820*385*180
LED-SSLF-40W	40W	SMD3030	6800	mono-crystalline (18V/65W)	lithium (12V/ 28AH)	Aluminum	60	960*385*180
LED-SSLF-50W	50W	SMD3030	8500	mono-crystalline (18V/70W)	lithium (12V/ 36AH)	Aluminum	60	1190*385*180
LED-SSLF-60W	60W	SMD3030	10200	mono-crystalline (18V/80W)	lithium (12V/ 42AH)	Aluminum	60	1190*385*180
LED-SSLF-80W	80W	SMD3030	13600	mono-crystalline (18V/100W)	lithium (12V/ 57AH)	Aluminum	76	1630*385*55
LED-SSLF-100W	100W	SMD3030	17000	mono-crystalline (18V/130W)	lithium (12V/ 63AH)	Aluminum	76	1950*385*55
LED-SSLF-120W	120W	SMD3030	20400	mono-crystalline (18V/140W)	lithium (12V/ 72AH)	Aluminum	76	1950*385*55

Light Sensor
 Light off during daytime / Auto on at night

Infrared Motion Sensor
 Dim light when no people pass by / Full power when people pass by

Programmable Timer
 Adjust the power according to time

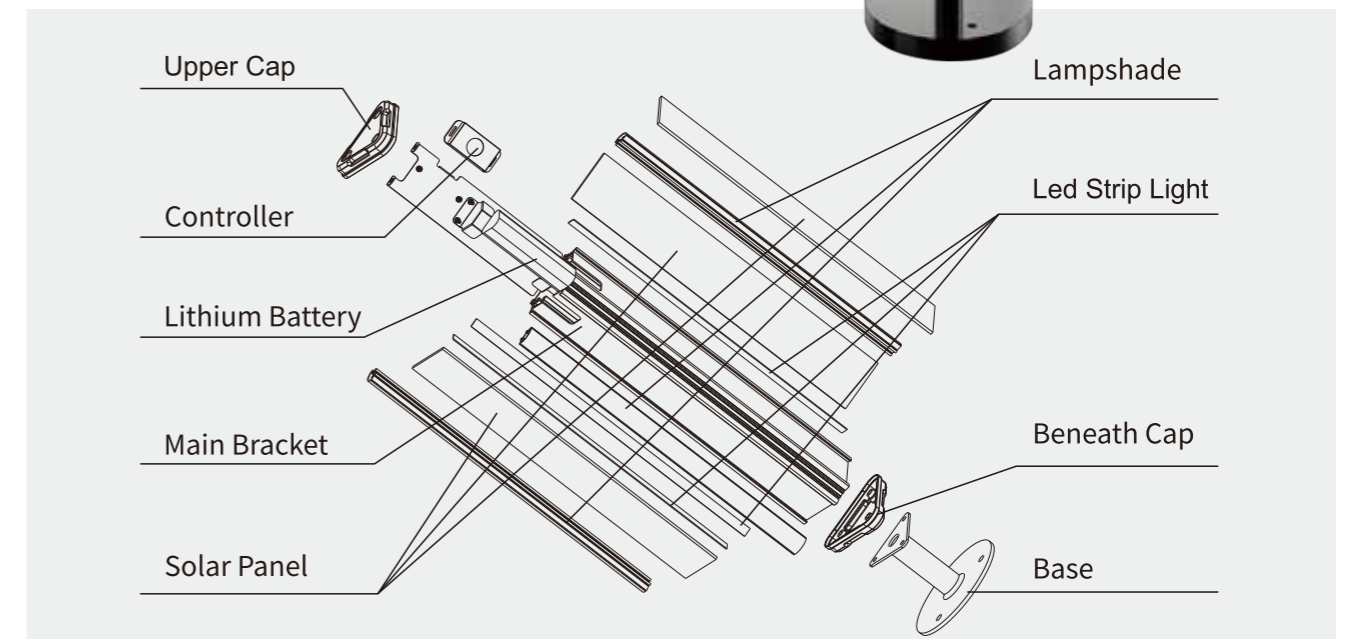
Mobile APP Intelligent Control
 Smart control from any place

3000K 4000K 6500K

≥80 30,000h -20°+40° 15,000 90% IP 65

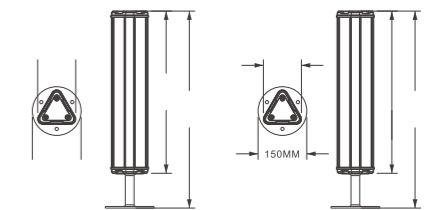
ITEM NO.	Wattage [W]	LED	Lumen [lm]	Solar panels	Battery Type	Material	Pole Size[mm]	Size [mm]
LED-SSLG-40W	40W	SMD3030	4000	mono-crystalline (18V/50W)	lithium battery (11.1V/ 24AH)	Aluminum	60	598*230*261
LED-SSLG-50W	50W	SMD3030	5000	mono-crystalline (18V/65W)	lithium battery (11.1V/ 28AH)	Aluminum	60	598*230*261
LED-SSLG-60W	60W	SMD3030	6000	mono-crystalline (18V/80W)	lithium battery (11.1V/ 36AH)	Aluminum	60	598*230*261
LED-SSLG-80W	80W	SMD3030	8000	mono-crystalline (18V/100W)	lithium battery (11.1V/ 42AH)	Aluminum	60	598*230*261
LED-SSLG-100W	100W	SMD3030	10000	mono-crystalline (18V/130W)	lithium battery (11.1V/ 50AH)	Aluminum	60	598*230*261
LED-SSLG-120W	120W	SMD3030	12000	mono-crystalline (18V/160W)	lithium battery (11.1V/ 62.4AH)	Aluminum	60	598*230*261

LED SOLAR GARDEN LIGHT



3000K 4000K 6500K

≥80
 30,000h
 -20°+40°
 15,000
 90%
 CE
 IP 65
 IK 08



ITEM NO.	Wattage [W]	LED	Lumen [lm]	Solar panels	Battery Type	Discharge time (hours)	Beam angle	Material	Size [mm]
LED-SGLB-500	5W	5050RGB+SMD2835	500	Mono-crystalline (11.5V/9W)	Lithium (7.4V/2.6AH)	7-8	120°	Aluminum	D150*H500
LED-SGLB-1000	10W	5050RGB+SMD2835	1000	Mono-crystalline (11.5V/21W)	Lithium (7.4V/5.2AH)	7-8	120°	Aluminum	D150*H1000



3000K 4000K 6500K

≥80
 30,000h
 -20°+40°
 15,000
 90%

 IP 65
 IK 08

ITEM NO.	Wattage [W]	LED	Lumen [lm]	Solar panels	Battery Type	Discharge time [hours]	Beam angle	Material	Pole Size[mm]	Size [mm]
LED-SGL-20W	20W	SMD3030	1500	Mono-crystalline (18V/30W)	Lithium (12.8V/11.2AH)	9-10	150*75°	Aluminum	70-75	D570*230
LED-SGL-30W	30W	SMD3030	2000	Mono-crystalline (18V/40W)	Lithium (12.8V/25AH)	9-10	150*75°	Aluminum	70-75	D660*240
LED-SGL-50W	50W	SMD3030	3000	Mono-crystalline (18V/50W)	Lithium (12.8V/32.8AH)	9-10	150*75°	Aluminum	70-75	D760*250



3000K 4000K 6500K

≥80
 30,000h
 -20°+40°
 15,000
 90%

 IP 65
 IK 08

Light Sensor
 Light off during daytime Auto on at night

Infrared Motion Sensor
 Dim light when no people pass by Full power when people pass by

ITEM NO.	Wattage [W]	LED	Lumen [lm]	Solar panels	Battery Type	Discharge time [hours]	Beam angle	Material	Pole Size[mm]	Size [mm]
LED-SGLA-20W	20W	SMD3030	1300	Mono-crystalline (6V/15W)	Lithium (3.2V/18AH)	9-10	120°	Aluminum	26	D400*H160
LED-SGLA-30W	30W	SMD3030	1700	Mono-crystalline (6V/25W)	Lithium (3.2V/36AH)	9-10	120°	Aluminum	76	D520*H105



Optical sensing
光控感应

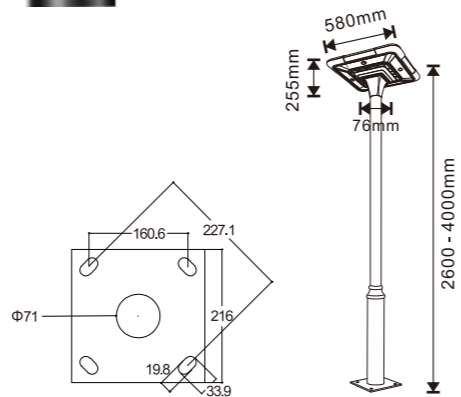
2835芯片 **incl.**

3.2V~ 200PCS



≥80
 30,000h
 -20°+40°
 15,000
 90%

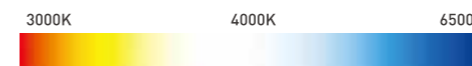
 IP 65



Optical sensing
光控感应

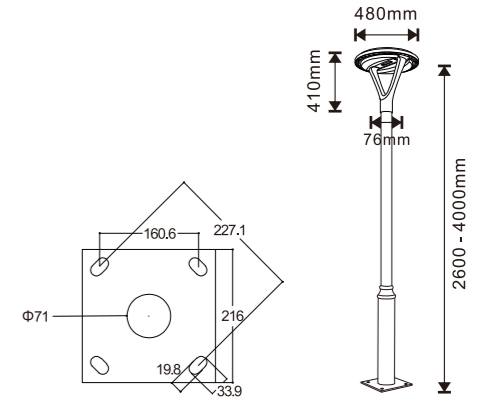
2835芯片 **incl.**

3.2V~ 200PCS



≥80
 30,000h
 -20°+40°
 15,000
 90%

 IP 65



ITEM NO.	Solar panels	Battery type	Discharge time[hours]	Material	Size [mm]
LED-YSGL01	mono-crystalline (5V/45W)	Lithium (3.2V/60AH)	3-5	Aluminum+PC	580*580*255

ITEM NO.	Solar panels	Battery type	Discharge time[hours]	Material	Size [mm]
LED-YSGL02	mono-crystalline (5V/20W)	Lithium (3.2V/20AH)	3-5	Aluminum+PC	480*410



Optical sensing
光控感应

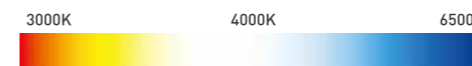
2835芯片
incl. ✓

3.2V~ 200PCS

Optical sensing
光控感应

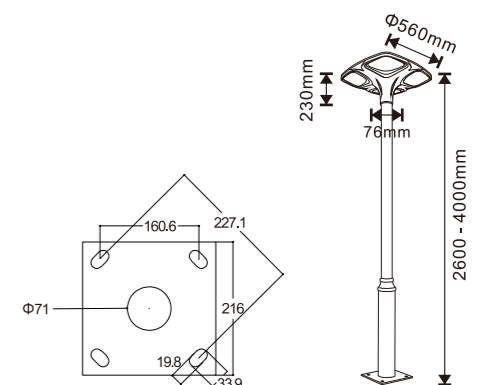
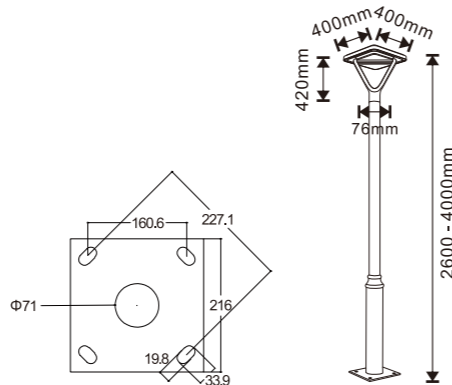
2835芯片
incl. ✓

3.2V~ 200PCS



- ≥80
- 30,000h
- 20°+40°
- 15,000
- 90%
- Energy saving
- CE
- IP 65

- ≥80
- 30,000h
- 20°+40°
- 15,000
- 90%
- Energy saving
- CE
- IP 65



ITEM NO.	Solar panels	Battery type	Discharge time[hours]	Material	Size [mm]
LED-YSGL03	mono-crystalline (5V/20W)	Lithium (3.2V/20AH)	3-5	Aluminum+PC	400*400*420

ITEM NO.	Solar panels	Battery type	Discharge time[hours]	Material	Size [mm]
LED-YSGL04	mono-crystalline (5V/32W)	Lithium (3.2V/45AH)	3-5	Aluminum+PC	560*560*230

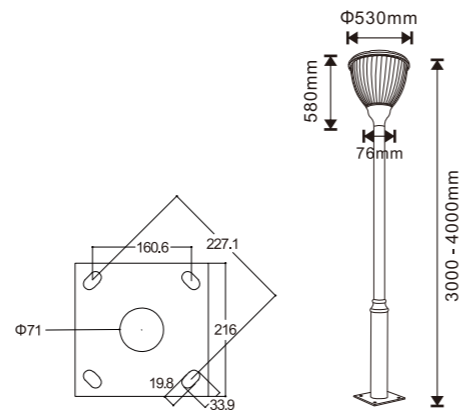


Optical sensing
光控感应

2835芯片
3.2V~ 200PCS



≥80 30,000h -20°+40° 15,000 90% CE IP 65



ITEM NO.	Solar panels	Battery type	Discharge time[hours]	Material	Size [mm]
LED-YSGL05	mono-crystalline (5V/28W)	Lithium (3.2V/36AH)	3-5	Aluminum+PC	D530*H580

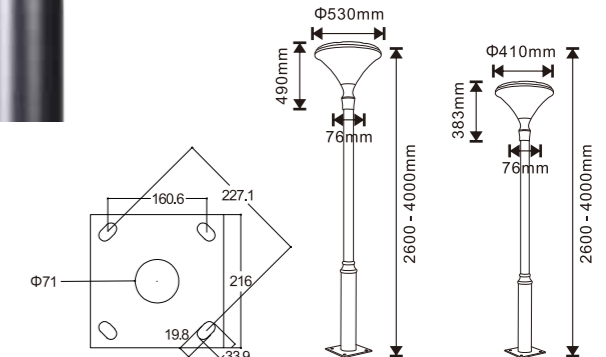


Optical sensing
光控感应

2835芯片
3.2V~ 200PCS



≥80 30,000h -20°+40° 15,000 90% CE IP 65



ITEM NO.	Solar panels	Battery type	Discharge time[hours]	Material	Size [mm]
LED-YSGL06	mono-crystalline (5V/16W)	Lithium (3.2V/16AH)	3-5	Aluminum+PC	D410*H383
LED-YSGL06	mono-crystalline (5V/25W)	Lithium (3.2V/30AH)	3-5	Aluminum+PC	D530*H490



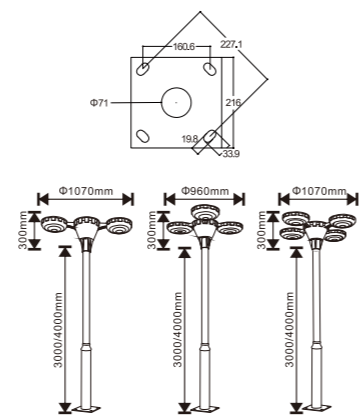
Optical sensing
光控感应

2835芯片
3.2V~ 200PCS

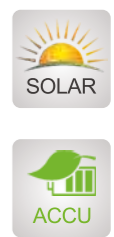
incl.



≥80 30,000h -20°+40° 15,000 90% CE IP 65



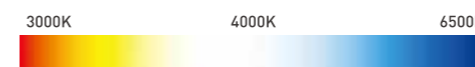
ITEM NO.	Solar panels	Battery type	Discharge time(hours)	Material	Size [mm]
LED-YSGL07	mono-crystalline (5V/21W)	Lithium (3.2V/20AH)	3-5	Aluminum	D1070*H300
LED-YSGL07	mono-crystalline (5V/28W)	Lithium (3.2V/30AH)	3-5	Aluminum	D960*H300
LED-YSGL07	mono-crystalline (5V/35W)	Lithium (3.2V/40AH)	3-5	Aluminum	D1070*H300



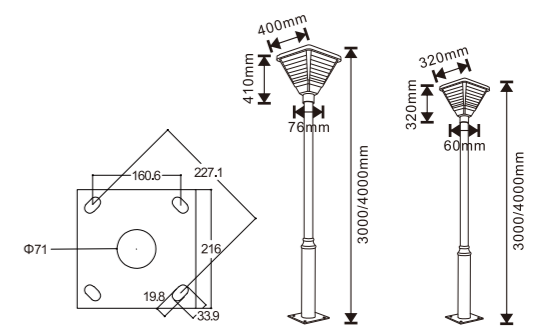
Optical sensing
光控感应

2835芯片
3.2V~ 200PCS

incl.



≥80 30,000h -20°+40° 15,000 90% CE IP 65



ITEM NO.	Solar panels	Battery type	Discharge time(hours)	Material	Size [mm]
LED-YSGL08	mono-crystalline (5V/20W)	Lithium (3.2V/20AH)	3-5	Aluminum+PC	400*400*410
LED-YSGL08	mono-crystalline (5V/12W)	Lithium (3.2V/12AH)	3-5	Aluminum+PC	320*320*320



Optical sensing
光控感应

2835芯片 **incl.**

3.2V~ 200PCS

Optical sensing
光控感应

2835芯片 **incl.**

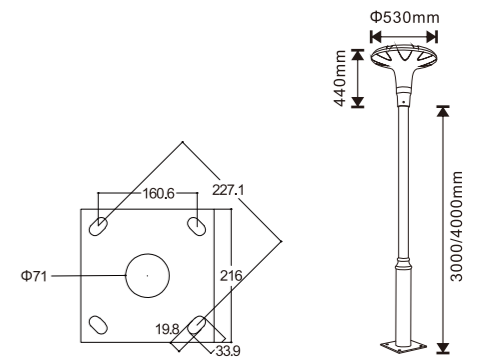
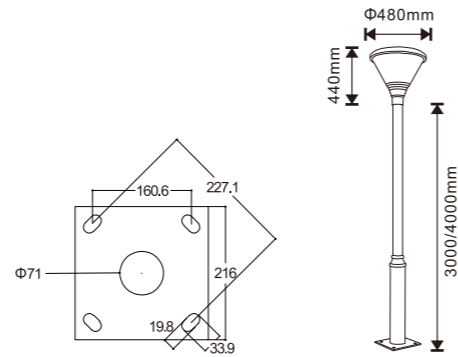
3.2V~ 200PCS

3000K 4000K 6500K

≥80 30,000h -20°+40° 15,000 90%

3000K 4000K 6500K

≥80 30,000h -20°+40° 15,000 90%



ITEM NO.	Solar panels	Battery type	Discharge time[hours]	Material	Size [mm]
LED-YSGL09	mono-crystalline (5V/20W)	Lithium (3.2V/20AH)	3-5	Aluminum+PC	D480*H440

ITEM NO.	Solar panels	Battery type	Discharge time[hours]	Material	Size [mm]
LED-YSGL10	mono-crystalline (5V/25W)	Lithium (3.2V/30AH)	3-5	Aluminum+PC	D530*H440



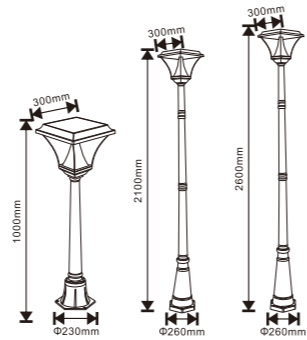
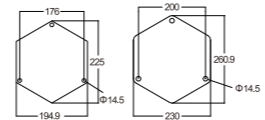
Optical sensing
光控感应

2835芯片 **incl.**

3.2V~ 200PCS



- ≥80
- 30,000h
- 20°+40°
- 15,000
- 90%
-
- IP 65



ITEM NO.	Solar panels	Battery type	Discharge time[hours]	Material	Size [mm]
LED-YSGL11	mono-crystalline (5V/10W)	Lithium (3.2V/12AH)	3-5	Aluminum+PC	300*300*1000-2600

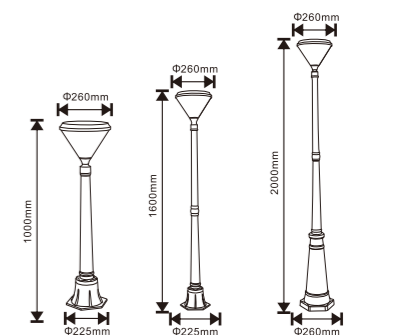
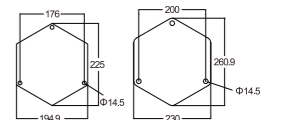
Optical sensing
光控感应

2835芯片 **incl.**

3.2V~ 200PCS



- ≥80
- 30,000h
- 20°+40°
- 15,000
- 90%
-
- IP 65



ITEM NO.	Solar panels	Battery type	Discharge time[hours]	Material	Size [mm]
LED-YSGL12	mono-crystalline (5V/4.5W)	Lithium (3.2V/8AH)	3-5	Aluminum+PC	D260*1000/2000



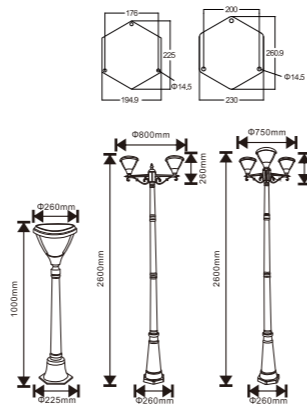
Optical sensing
光控感应

2835芯片
incl. ✓

3.2V~ 200PCS

3000K 4000K 6500K

≥80 30,000h -20°+40° 15,000 90% Energy saving CE IP 65



ITEM NO.	Solar panels	Battery type	Discharge time[hours]	Material	Size [mm]
LED-YSGL13	mono-crystalline (5V/4.5W)	Lithium (3.2V/8AH)	3-5	Aluminum+PC	D260*H1000
LED-YSGL13	mono-crystalline (5V/4.5*2W)	Lithium (3.2V/12AH)	3-5	Aluminum+PC	D800*H2600
LED-YSGL13	mono-crystalline (5V/4.5*3W)	Lithium (3.2V/24AH)	3-5	Aluminum+PC	D750*H2600

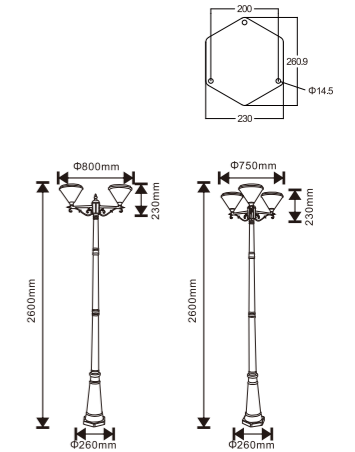
Optical sensing
光控感应

2835芯片
incl. ✓

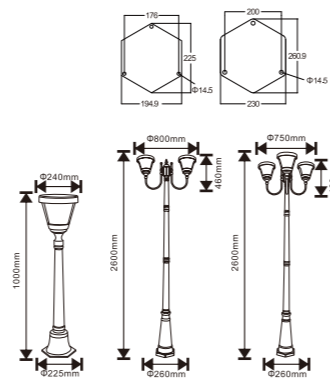
3.2V~ 200PCS

3000K 4000K 6500K

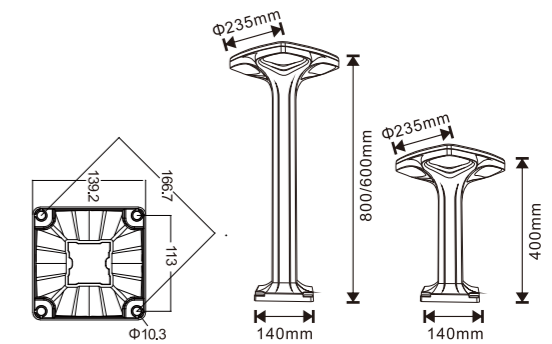
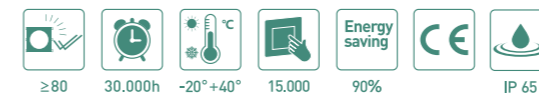
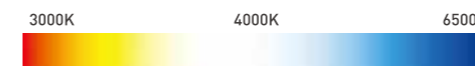
≥80 30,000h -20°+40° 15,000 90% Energy saving CE IP 65



ITEM NO.	Solar panels	Battery type	Discharge time[hours]	Material	Size [mm]
LED-YSGL14	mono-crystalline (5V/4.5*2W)	Lithium (3.2V/16AH)	3-5	Aluminum+PC	800*230*2600
LED-YSGL14	mono-crystalline (5V/4.5*3W)	Lithium (3.2V/24AH)	3-5	Aluminum+PC	750*230*2600



ITEM NO.	Solar panels	Battery type	Discharge time[hours]	Material	Size [mm]
LED-YSGL15	mono-crystalline (5V/4.5W)	Lithium (3.2V/8AH)	3-5	Aluminum+PC	D240*H1000
LED-YSGL15	mono-crystalline (5V/4.5*2W)	Lithium (3.2V/16AH)	3-5	Aluminum+PC	D800*H2600
LED-YSGL15	mono-crystalline (5V/4.5*3W)	Lithium (3.2V/24AH)	3-5	Aluminum+PC	D750*H26000



ITEM NO.	Solar panels	Battery type	Discharge time[hours]	Material	Size [mm]
LED-YSGL16	mono-crystalline (5V/5W)	Lithium (3.2V/6. 4AH)	3-5	Aluminum+PC	235*235*400-1000

LED Solar Garden Light

LED Solar Garden Light



Optical sensing
光控感应

2835芯片
3.2V~ 200PCS

incl.

Optical sensing
光控感应

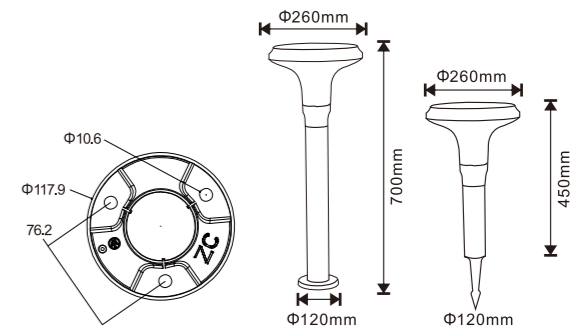
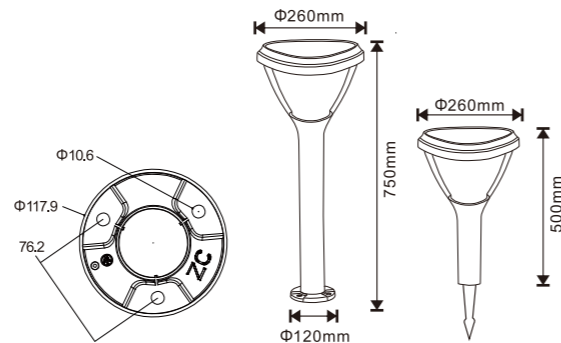
2835芯片
3.2V~ 200PCS

incl.



≥80 30,000h -20°+40° 15,000 90% CE IP 65

≥80 30,000h -20°+40° 15,000 90% IP 65



ITEM NO.	Solar panels	Battery type	Discharge time[hours]	Material	Size [mm]
LED-YSGL17	mono-crystalline (5V/4.5W)	Lithium (3.2V/8AH)	3-5	Aluminum+PC	D260*750/500

ITEM NO.	Solar panels	Battery type	Discharge time[hours]	Material	Size [mm]
LED-YSGL18	mono-crystalline (5V/4.5W)	Lithium (3.2V/8AH)	3-5	Aluminum+PC	D260*450/700



Optical sensing
光控感应

2835芯片
incl. 3.2V~ 200PCS

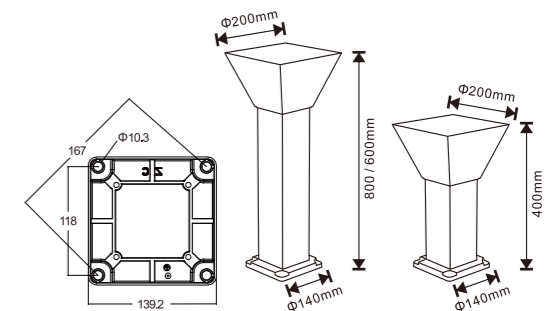
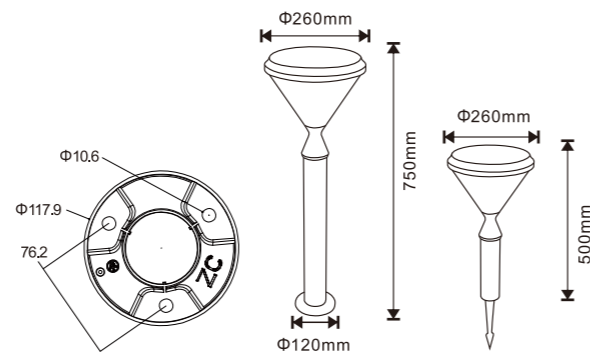
Optical sensing
光控感应

2835芯片
incl. 3.2V~ 200PCS



- ≥80
- 30.000h
- 20°+40°
- 15.000
- 90%
- Energy saving
- CE
- IP 65

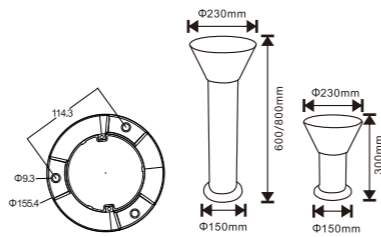
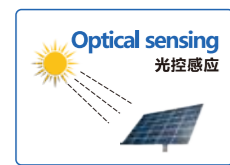
- ≥80
- 30.000h
- 20°+40°
- 15.000
- 90%
- Energy saving
- CE
- IP 65



ITEM NO.	Solar panels	Battery type	Discharge time[hours]	Material	Size [mm]
LED-YSGL19	mono-crystalline (5V/4.5W)	Lithium (3.2V/8AH)	3-5	Aluminum+PC	D260*500/750

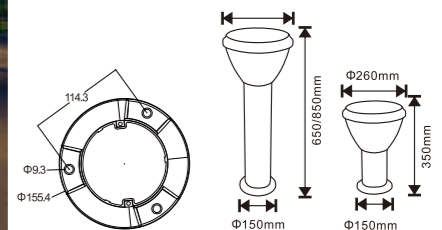
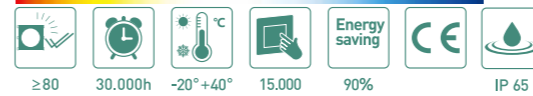
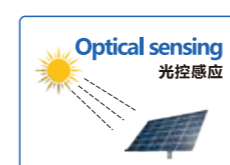
ITEM NO.	Solar panels	Battery type	Discharge time[hours]	Material	Size [mm]
LED-YSGL20	mono-crystalline (5V/5W)	Lithium (3.2V/6.4AH)	3-5	Aluminum+PC	D260*400/600/800

LED Solar Garden Light



ITEM NO.	Solar panels	Battery type	Discharge time[hours]	Material	Size [mm]
LED-YSGL21	mono-crystalline (5V/4.5W)	Lithium (3.2V/6.4AH)	3-5	Aluminum+PC	D230*300/600/800

LED Solar Garden Light



ITEM NO.	Solar panels	Battery type	Discharge time[hours]	Material	Size [mm]
LED-YSGL22	mono-crystalline (5V/4.5W)	Lithium (3.2V/8AH)	3-5	Aluminum+PC	D260*350/650/850

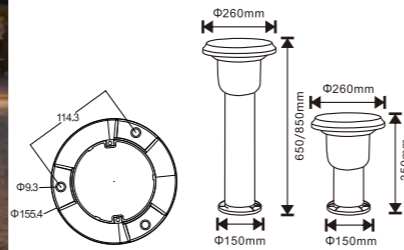


Optical sensing
光控感应

2835芯片
incl. ✓
3.2V~ 200PCS



≥80 30.000h -20°+40° 15.000 90% Energy saving CE IP 65



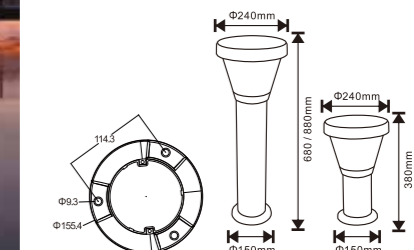
ITEM NO.	Solar panels	Battery type	Discharge time[hours]	Material	Size [mm]
LED-YSGL23	mono-crystalline (5V/4.5W)	Lithium (3.2V/8AH)	3-5	Aluminum+PC	D260*350/650/850

Optical sensing
光控感应

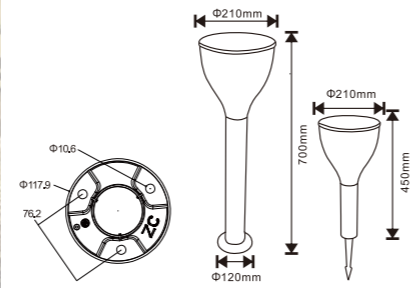
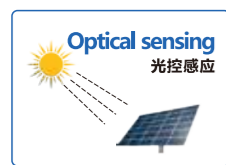
2835芯片
incl. ✓
3.2V~ 200PCS



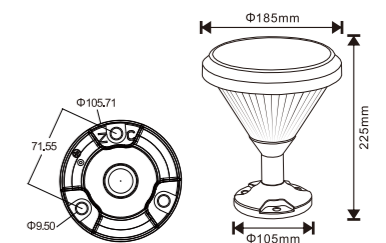
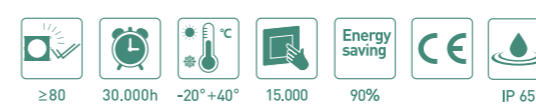
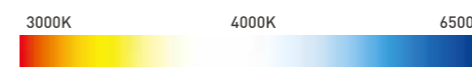
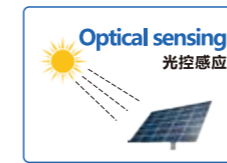
≥80 30.000h -20°+40° 15.000 90% Energy saving CE IP 65



ITEM NO.	Solar panels	Battery type	Discharge time[hours]	Material	Size [mm]
LED-YSGL24	mono-crystalline (5V/4.5W)	Lithium (3.2V/8AH)	3-5	Aluminum+PC	D240*H380/680/880



ITEM NO.	Solar panels	Battery type	Discharge time[hours]	Material	Size [mm]
LED-YSGL25	mono-crystalline [6V/3W]	Lithium [3.7V/4AH]	3-5	Aluminum+PC	D210*450/700



ITEM NO.	Solar panels	Battery type	Discharge time[hours]	Material	Size [mm]
LED-YSGL26	mono-crystalline [5V/2W]	Lithium [3.2V/2AH]	3-5	Aluminum+PC	185*105*255



Optical sensing
光控感应

2835芯片
3.2V~ 200PCS

incl.

Optical sensing
光控感应

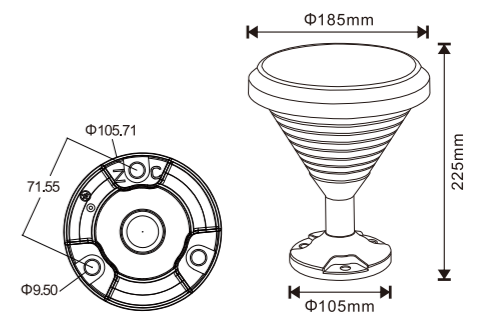
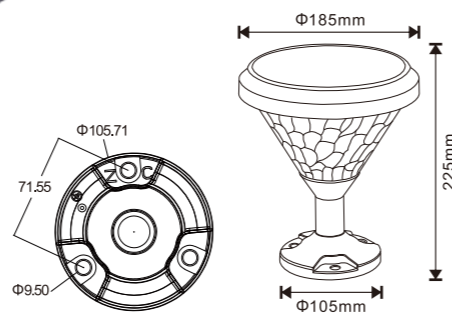
2835芯片
3.2V~ 200PCS

incl.



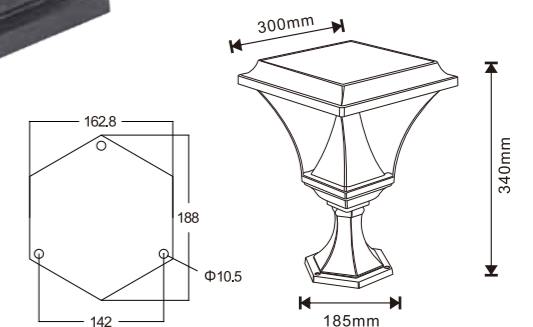
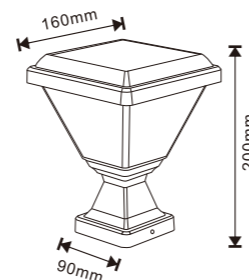
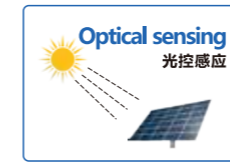
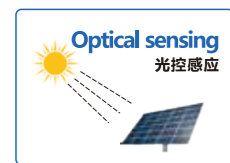
≥80 30,000h -20°+40° 15,000 90% CE IP 65

≥80 30,000h -20°+40° 15,000 90% CE IP 65



ITEM NO.	Solar panels	Battery type	Discharge time[hours]	Material	Size [mm]
LED-YSGL27	mono-crystalline (5V/2W)	Lithium (3.2V/2AH)	3-5	Aluminum+PC	185*105*225

ITEM NO.	Solar panels	Battery type	Discharge time[hours]	Material	Size [mm]
LED-YSGL28	mono-crystalline (5V/2W)	Lithium (3.2V/2AH)	3-5	Aluminum+PC	185*105*225



ITEM NO.	Solar panels	Battery type	Discharge time[hours]	Material	Size [mm]
LED-YSGL29	mono-crystalline (5V/2W)	Lithium (3.2V/2AH)	3-5	ABS+PC	160*160*200

ITEM NO.	Solar panels	Battery type	Discharge time[hours]	Material	Size [mm]
LED-YSGL30	mono-crystalline (5V/10W)	Lithium (3.2V/12AH)	3-5	Aluminum+PC	300*300*340



Optical sensing
光控感应

2835芯片 **incl.**

3.2V~ 200PCS

Optical sensing
光控感应

2835芯片 **incl.**

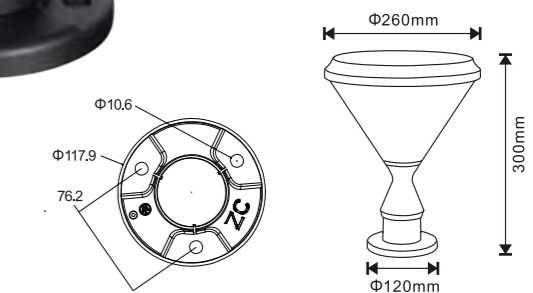
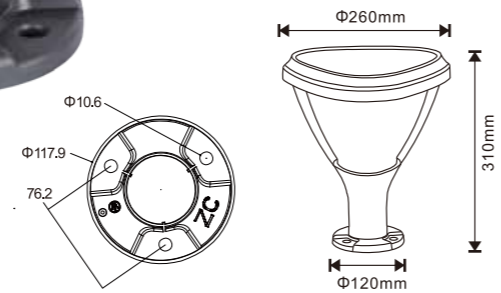
3.2V~ 200PCS

3000K 4000K 6500K

≥80
 30,000h
 -20°+40°
 15,000
 Energy saving 90%
 CE
 IP 65

3000K 4000K 6500K

≥80
 30,000h
 -20°+40°
 15,000
 Energy saving 90%
 CE
 IP 65



ITEM NO.	Solar panels	Battery type	Discharge time[hours]	Material	Size [mm]
LED-YSGL31	mono-crystalline (5V/4.5W)	Lithium (3.2V/8AH)	3-5	Aluminum+PC	D260*310

ITEM NO.	Solar panels	Battery type	Discharge time[hours]	Material	Size [mm]
LED-YSGL32	mono-crystalline (5V/4.5W)	Lithium (3.2V/8AH)	3-5	Aluminum+PC	D260*300

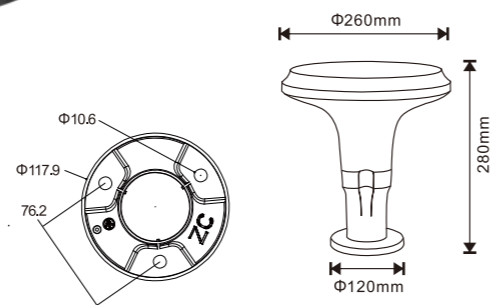


Optical sensing
光控感应

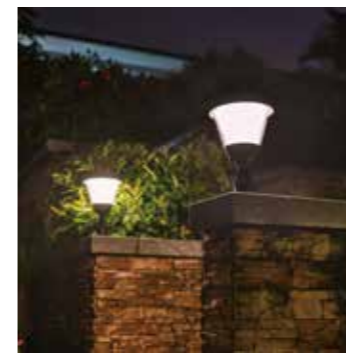
2835芯片 **incl.**
3.2V~ 200PCS



≥80 30,000h -20°+40° 15,000 90% CE IP 65



ITEM NO.	Solar panels	Battery type	Discharge time[hours]	Material	Size [mm]
LED-YSGL33	mono-crystalline (5V/4.5W)	Lithium (3.2V/8AH)	3-5	Aluminum+PC	D260*280

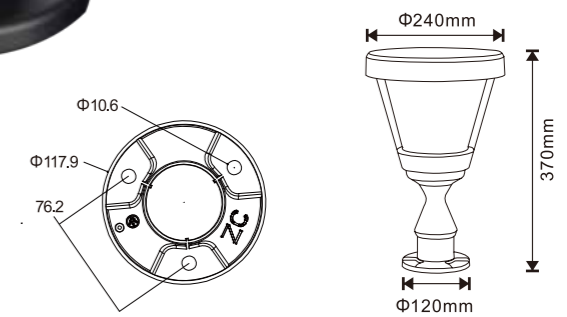


Optical sensing
光控感应

2835芯片 **incl.**
3.2V~ 200PCS



≥80 30,000h -20°+40° 15,000 90% CE IP 65



ITEM NO.	Solar panels	Battery type	Discharge time[hours]	Material	Size [mm]
LED-YSGL34	mono-crystalline (5V/4.5W)	Lithium (3.2V/8AH)	3-5	Aluminum+PC	D240*370



Optical sensing
光控感应

2835芯片 **incl.**

3.2V~ 200PCS

Optical sensing
光控感应

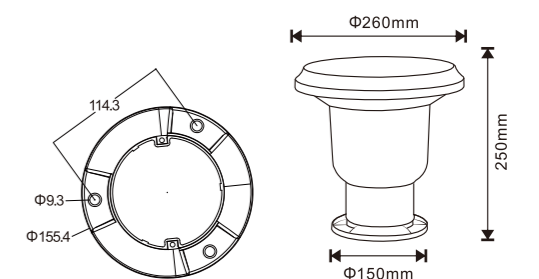
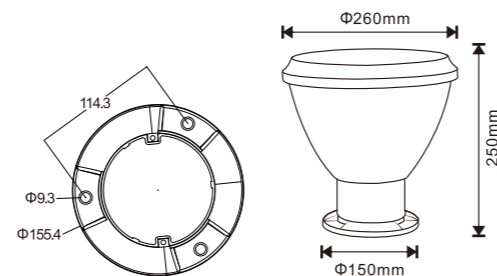
2835芯片 **incl.**

3.2V~ 200PCS



≥80
 30,000h
 -20°+40°
 15,000
 90%
 IP 65

≥80
 30,000h
 -20°+40°
 15,000
 90%
 IP 65



ITEM NO.	Solar panels	Battery type	Discharge time[hours]	Material	Size [mm]
LED-YSGL35	mono-crystalline (5V/4.5W)	Lithium (3.2V/8AH)	3-5	Aluminum+PC	D260*250

ITEM NO.	Solar panels	Battery type	Discharge time[hours]	Material	Size [mm]
LED-YSGL36	mono-crystalline (5V/4.5W)	Lithium (3.2V/8AH)	3-5	Aluminum+PC	D260*250



3000K 4000K 6500K

ITEM NO.	Wattage [W]	Solar panels	Battery type	Beam angle	Discharge time[hours]	Material	Size [mm]
LED-SFLO-100W(A)	100W	polysilicon [5V/3W]	Lithium [3.2V/5AH]	120°	6-8	ABS	250*285*50
LED-SFLO-100W(B)	100W	polysilicon [5V/5W]	Lithium [3.2V/5AH]	120°	6-8	ABS	250*285*50



3000K 4000K 6500K



ITEM NO.	Wattage [W]	Solar panels	Battery type	Beam angle	Discharge time[hours]	Material	Size [mm]
LED-SFLC-100W(SOS)	100W	mono-crystalline [9V/7W]	Lithium [7.4V/4AH]	120°	4-5	Aluminum	310*350*90
LED-SFLC-100W(Remote)	100W	mono-crystalline [9V/7W]	Lithium [3.7V/12AH]	120°	15-20	Aluminum	310*350*90



AD-S01

- 1.Solar panel: 18V 10W with 6M cable.
- 2.battery: 12V 7AH lead-acid battery.
- 3.LED bulb: 3W * 2pcs with 4M cable and switch.
- 4,USB output: 5V/1A*2.
- 5.Function: USB, MP3,FM
- 6.Color: yellow
- 7,Fuse : 5A



AD-S02

- 1.Solar panel: 18V 20W with 8M cable.
- 2.battery: 12V 12AH lead-acid battery.
- 3.LED bulb: 3W*2pcs & 5W*2pcs with 4M cable and switch.
- 4,USB output: 5V/1A*2.
- 5.Function: USB, MP3,FM
- 6.Color: yellow
- 7.Fuse: 10A



AD-S05

- Solar panel : Monocrystalline 5V/5.5W with 5 meter wire
 Storage Battery: Lithium ion 3.7V 5000MAH
 Light Source:2pcs -1W+2W light bulbs with 5 meter wire
 Lumen:150 LM each bulb
 Color Temperature:6500-7000K
 Working Time:2x 1.5W stay on for 5 hours , Charging Time:4-6 hours
 Function:3 USB outlets, 2 for light bulbs, 1 ofr phone charge
 IP Grade:light bulb IP45;Control box for indoor use only
 Main Material:PC+ABS+Aluminum
 Crust Color:white+ silver
 Item Size:23X18 cm , wire 5 meter
 Others:ON/OFF switch



AD-S06

- Solar panel : Polycrystalline 300*210 9V/12W with 5 meter wire
 Storage Battery: LiFePO4 32700# 6.4V/6Ah
 Light Source:4pcs -2*1W+2*2W light bulbs with 5 meter wire
 Lumen:150LM each bulb
 Color Temperature:6500-7000K
 Working Time:4pcs -2*1W+2*2W stay on for 5 hours ,
 Charging Time:5-6 hours
 Function:5 USB outlets, 4 for light bulbs, 1 ofr phone charge
 IP Grade:light bulb IP45;Control box for indoor use only
 Main Material:Aluminum,steel,PC , ABS
 Crust Color:white
 Item Size:17.2X10.3*4 cm
 Others:ON/OFF switch



AD-S07

- Solar panel:Polycrystalline 5V 3W with 3 meter wire
 Storage Battery: 3.2V/4000mAh LiFePO4
 Light Source:2pcs -1W with 5 meter wire with independent switch
 Lumen:100 LM each bulb
 Color Temperature:6500-7000K
 Working Time:12 Hours□Charging Time:5-6 hours
 Function:2*1.5W LED bulbs for lighting, with bluetooth speaker.
 IP Grade:light bulb IP45;Control box for indoor use only
 Main Material:ABS,PC
 Crust Color:Gray
 Item Size:21X6X15CM
 Others:ON/OFF switch



AD-S08

- Solar panel : Polycrystalline 14V 13W*2=26W with 04 meter
 Storage Battery: LiFePO4 9.6V/12AH
 Light Source:5730 Led, 2PCS 2W/ 2PCS 3W light bulb with 5 meter
 Lumen:110 LM each bulb
 Color Temperature:6500-7000K
 Working Time:6-14H , Charging Time:6-8H
 Function:5 USB outlets,2A. 2PCS 2W/ 2PCS 3W light bulb stay on for 6 hours.
 Fully charge phone for 3times.
 IP Grade:light bulb IP45;Control box for indoor use only
 Main Material:Aluminum,steel,PC,ABS
 Crust Color:Control box : green; Bulbs:white,Solar panel: silver
 Item Size:39.6X26.6X19.8H CM
 Others:ON/OFF switch



AD-S03

- 1.Solar panel: 18V 30W with 8M cable.
- 2.battery: 12V 17AH lead-acid battery.
- 3.LED bulb: 3W*3pcs & 5W*3pcs with 4M cable and switch.
- 4,USB output: 5V/1A*2.
- 5.Function: USB, MP3,FM
- 6.Color: yellow
- 7.Fuse: 10A



AD-S04

- 1.Solar panel: 18V 50W with 8M cable.
- 2.battery: 12V 20AH lead-acid battery.
- 3.LED bulb: 3W*3pcs & 5W*3pcs with 4M cable and switch.
- 4,USB output: 5V/1A*2.
- 5.Function: USB, MP3,FM
- 6.Color: yellow.
- 7.Fuse: 10A



AD-S09

- 1.Solar panel:2w9.3m csble
- 2.Battery: 3200mAh OV maintenance-free lead scid
- 3.Light souroe: 11 LED Diodes(S LEDs asMsin illumination festure + 2 LEDs as Reading Light festure / Samsung Chips)
- 4.USB Port: Support mobile phones power banks and speakers charge
- 5.illuminstion Light: Brightness Adjustsble (25%/50%/75%/100%)
- 6.LED Powerindicstor:4 LEDs
- 7.Working hours on full bsttery : 50 / 65 / 34 / 19 / 14hrs



AD-S10

- 1.Solar panel: 2w9 *2 pcs, 3m csble
- 2.Battery: 4500mAh 6V maintenance-free lead acid
- 3.Light souroe:11 LED Diodes(S LEDsas Msin illumination festure + 2 LEDsas Reading Light festureSamsung chips
- 4.LED Bulb: 1w 5m csble (Spcs LEDs DC 150lm
- 5.USB Port: Support mobile phonespower banks and speakers charge
- 6.illuminstion Light: Brightness Adjustsble (25%/50%/75%/100%)
- 7.LED Powerindicstor: 4 LEDs
- 8.Working hours on full battery : 75 / 100 /60 /30 /15hrs



AD-S11

- 1.Solar panel: 2W5V,3m csble
- 2.Battery: 6000mAh3.2V Life Po4 battery
- 3.Light source: 11 LED Diodes9 LEDs as Msin illumination festure + 2 LEDs as Resding Light festure / Samsung Chips)
- 4.Multimedia: MP3.FM Radio and Bluetooth
- 5.USB Port: Support mobile phonespower banks and speakers charge
- 6.illumination Light: Brightness Adjustsble (25%/50%/175%/100%)
- 7.LED Power indicstor 4 LEDs
- 8.working hours on full battery : 15 / 24 / 58 / 100 175hrs



AD-S14

- 1.Solar panel: 5W 5V*1 pc, 3m cable
- 2.Battery: 12000mAh 3.2V LiFePO4 battery
- 3.Light source: 2 LED bulbs(150LM each), with Samsung chips
- 4.Multimedia: MP3.FM Radio and Bluetooth
- 5.LED Bulb: Dc 1W bulb *2 pcs, each with 3m cable (max support 5 LED bulbs)
- 6.USB Port: 1 pc, support mobile phones,power banks and speakers charge
- 7.Battery Capacity indicator:3 LEDs
- 8.Working hours on full battery: 1 bulb-38 hours; 2 bulbs-19 hours



AD-S13

- 1.Solar panel: 3W 5V*1 pc. 3m cable
- 2.Battery: 6000mAh 3.2V LiFePO4 battery
- 3.Light source: Main light(6 LEDs210LM)+ 2 LED bulbs(150LM each), all with Samsung chips
- 4.LED Bulb: Dc 1W bulb * 2 pcs, each with 3m cable
- 5.USB Port: 2 pcs, support mobile phones,power banks and speakers charge
- 6.Working hours on full battery: 1 bulb-16 hours; 2 bulbs-8 hours/Main light - 13 Hours
- 7.DC Output: Support 4 Bulbs (Max)



AD-S15

- 1.Solar panel: 10W 18V*1 pc, 5m cable
- 2.Battery: 6000mAh 12.8V LiFePO4 battery
- 3.Light source:2 LED bulbs(450LM each), with Samsung chips
- 4.Multimedia: MP3.FM Radio and Bluetooth
- 5.LED Bulb: DC 3W bulb *2 pcs, each with 4m cable (max support 4 LED bulbs)
- 6.USB Port: 4 pcs, support mobile phones,power banks and speakers charge
- 7.Battery Capacity indicator4 LEDs,25% /50% /75% /100%
- 8.Working hours on full battery: 1 bulb-25 hours; 2 bulbs-12 hours



AD-S16

- 1.Solar panel: 10W 18V*1 pc, 5m cable
- 2.Battery: 6000mAh 12.8V LiFePO4 battery
- 3.Light source: main light(300 LM)+2 LED bulbs(450LM each), with Samsung chips
- 4.Multimedia: MP3.FM Radio and Bluetooth
- 5.LED Bulb: DC 3W bulb(12 LEDs)*2 pcs, each with 5m cable (max support 4 LED bulbs)
- 6.USB Port: 4 pcs, support mobile phones,power banks and speakers charge
- 7.Battery Capacity indicator4 LEDs25% /50% /75% / 100%
- 8.Working hours on full battery: main light-38 Hours; 1 bulb-25 hours2 bulbs-12 hours



AD-S17

- 1.Solar panel: 10W 18V* 1 pc, 5m cable
- 2.Battery: 6000mAh 12.8V LiFePO4 battery
- 3.Light source:2 LED bulbs(450LM each), with Samsung chips
- 4.Multimedia: MP3.FM Radio and Bluetooth
- 5.LED Bulb: DC 3W bulb(12 LEDs)*2 pcs, each with 5m cable (max support 4 LED bulbs)
- 6.USB Port: 2 pcs, support mobile phones,power banks and speakers charge
- 7.Battery Capacity indicator4 LEDs25% /50% /75% / 100%
- 8.Working hours on full battery: 1 bulb-22 hours; 2 bulbs-11 hours



AD-S12

- 1.Solar panel: 3W5V,3m csble
- 2.Battery: 6000mAh 3.2V Life Po4
- 3.LED Bulb: 150lm (8pcs LEDs Samsung Chips 1w 3m csble
- 4.UsB Port: Support mobile phonespower banks and speakers charge
- 5.Working hours on full battery: 1 bulb-16hours; 2 bulbs8hours

